

Sector Mast Mount

Multipolarized High Gain Directional Antenna

Installation Instructions

Package Contents

- Sector Antenna Assembly
- Mast Mount Brackets
- Worm Clamp
- Adjusting Nuts and Bolts

Mast Mount Instructions

1. Attach the Mast Mount Brackets to the Sector Antenna using the adjusting bolts.
2. Slide Hose Clamp through slot on Mast Mount Brackets and around the Mast and tighten.
3. Adjust antenna angle per your desired elevation signal coverage and tighten adjusting bolts. (The antenna has a 40° signal elevation beamwidth. For elevation signal centered on the horizon we recommend a 20° downtilt as shown.)
4. Tighten both Adjusting Bolts so antenna is secure
5. Attach cable to SMA-Female Connector .

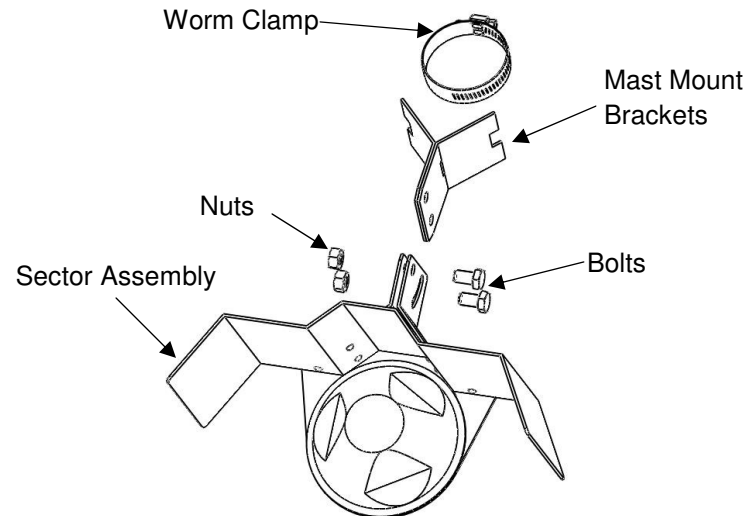
* Moisture within cable and connectors can significantly degrade performance. MP Antenna recommends all connections be sealed water tight to ensure optimal performance. Connections must not be made in a damp or wet environment.

Optional Grounding Information

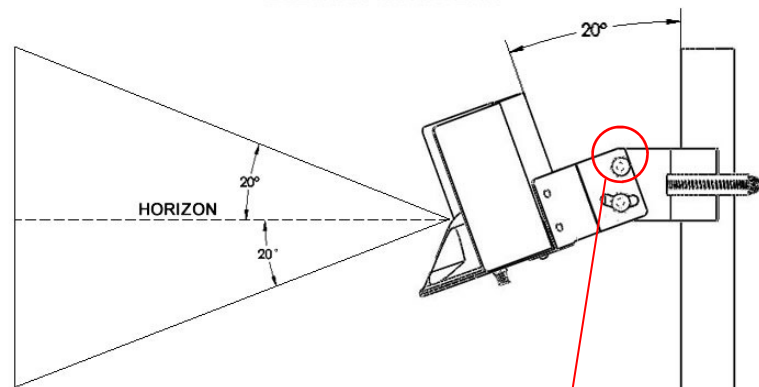
Grounding the coax cable with a coaxial lightning surge protector will protect your equipment from voltage surges created by nearby strikes but will not protect from a direct strike.

To protect yourself from a direct strike attach a lightning arrester to the antenna mast. Connect #8 gauge wire to a copper clad ground rod driving it at least four feet into the ground. Check your local electrical codes to make sure you are in compliance— We recommend calling a professional electrician to advise and/or install.

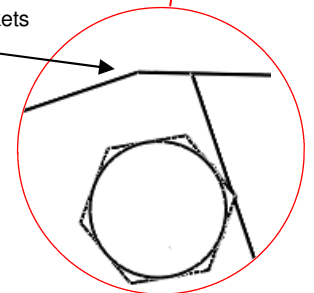
Mast Mount Expanded Top View



ELEVATION PATTERN



*For 20° downtilt align brackets so that edge is flush.



Sector Wall Mount

Multipolarized High Gain Directional Antenna

Installation Instructions

Package Contents

- Sector Antenna Assembly
- Wall Mount Brackets
- Adjusting Nuts and Bolts

Mast Mount Instructions

1. Screw Wall Mount Brackets to wall using mounting screws. (not provided)
2. Attach the Sector Assembly to the Wall Mount Brackets using the adjusting nuts & bolts
3. Adjust antenna angle per your desired elevation signal coverage and tighten adjusting bolts. (The antenna has a 40° signal elevation beamwidth. For elevation signal centered on the horizon we recommend a 20° downtilt as shown.)
4. Tighten both Adjusting Bolts so antenna is secure
5. Attach cable to SMA-Female Connector .

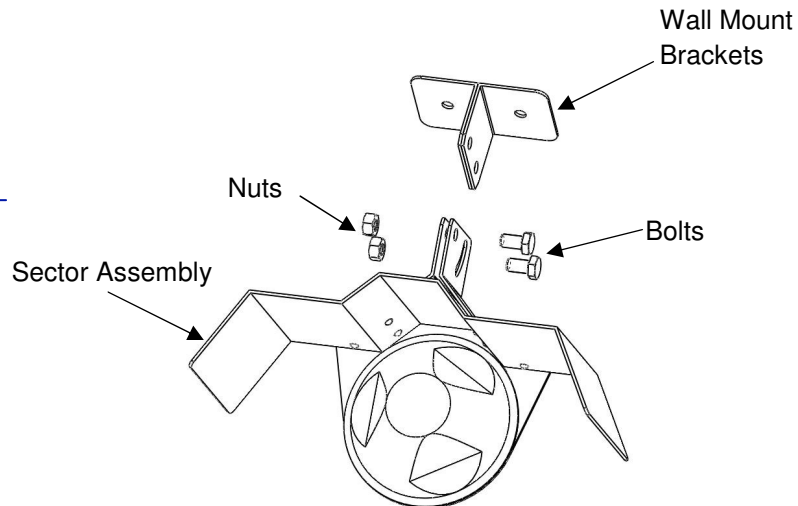
* Moisture within cable and connectors can significantly degrade performance. MP Antenna recommends all connections be sealed water tight to ensure optimal performance. Connections must not be made in a damp or wet environment.

Optional Grounding Information

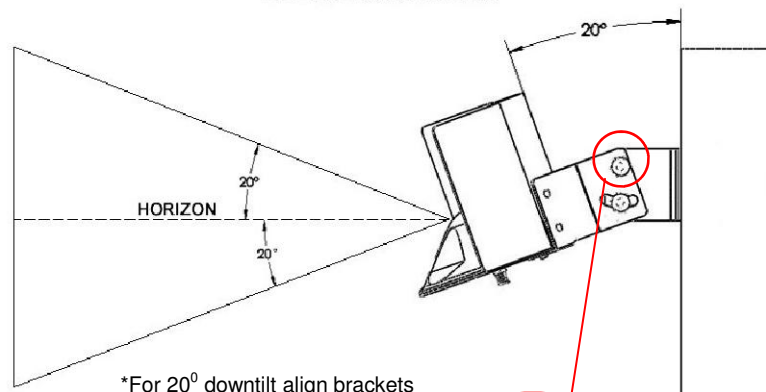
Grounding the coax cable with a coaxial lightning surge protector will protect your equipment from voltage surges created by nearby strikes but will not protect from a direct strike.

To protect yourself from a direct strike attach a lightning arrester to the antenna mast. Connect #8 gauge wire to a copper clad ground rod driving it at least four feet into the ground. Check your local electrical codes to make sure you are in compliance— We recommend calling a professional electrician to advise and/or install.

Wall Mount Expanded Top View



ELEVATION PATTERN



*For 20° downtilt align brackets so that edge is flush.

