

Omni Adhesive Mount

Multipolarized 2.4GHz Omni-Directional Antenna

Installation Instructions

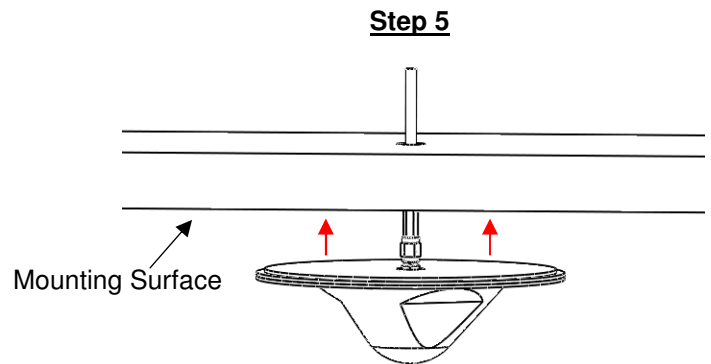
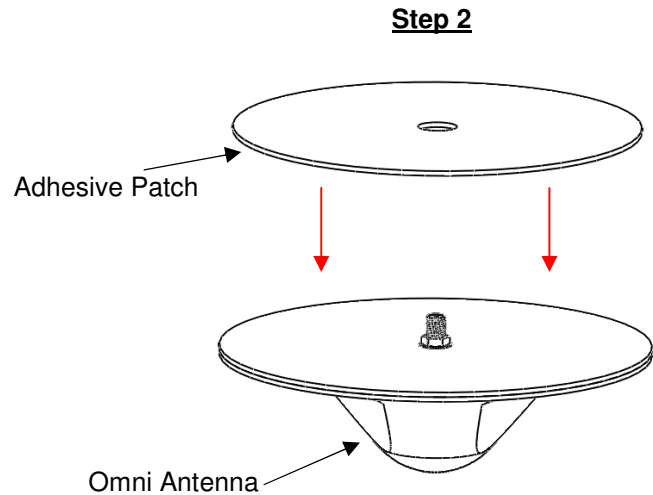
Package Contents

- Omni Antenna
- Adhesive Patch

Adhesive Mount Instructions

1. Drill hole through mounting surface (ceiling, wall, etc.) large enough to fit coax and connector.
2. Remove bottom liner from adhesive patch and adhere to back of Omni antenna.
3. Attach cable to SMA-Female Connector.
4. Remove top liner from adhesive patch (tear if needed).
5. Push coax through hole and stick antenna in place.

* Moisture within cable and connectors can significantly degrade performance. MP Antenna recommends all connections be sealed water tight to ensure optimal performance. Connections must not be made in a damp or wet environment.



Omni Stud Mount

Multipolarized 2.4GHz Omni-Directional Antenna

Installation Instructions

Package Contents

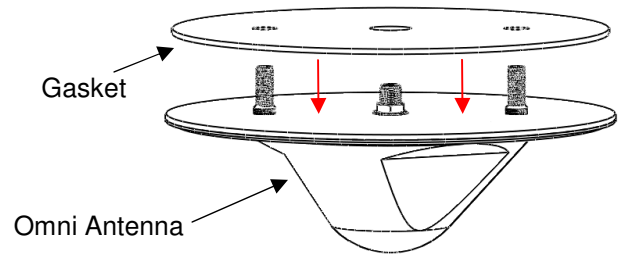
- Omni Antenna
- Gasket
- 2 Flat Washers
- 2 Lock Washers
- 2 Nuts

Stud Mount Instructions

1. Use the included gasket as template to mark points for drilling.
2. Drill holes through mounting surface large enough to fit coax, connector and mounting studs.
3. Install gasket on back of antenna.
4. Attach cable to SMA-Female Connector.
5. Push coax through hole, install washers and nuts and tighten.

* Moisture within cable and connectors can significantly degrade performance. MP Antenna recommends all connections be sealed water tight to ensure optimal performance. Connections must not be made in a damp or wet environment.

Step 4



Step 7

