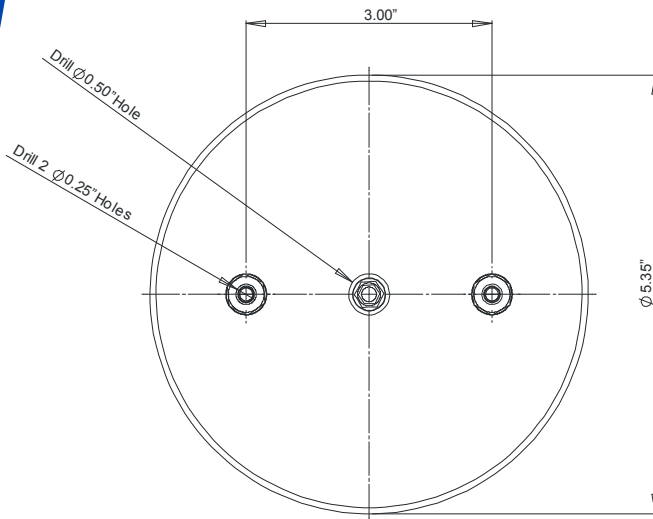


Omni-2.4GHz Dimensions

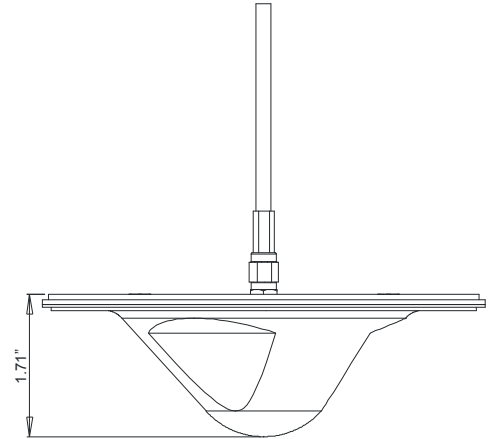
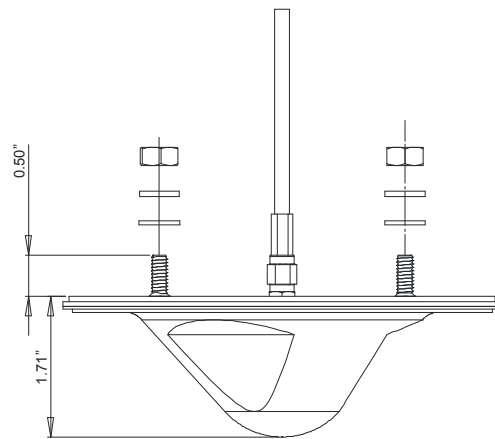
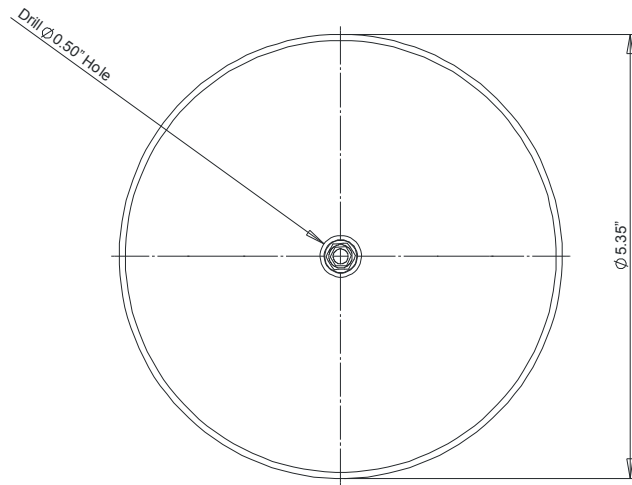
2.4GHz Omni-Directional MultiPolarized Antenna

Model No:
08-ANT-0866

Stud Mount



Adhesive Mount



*Drawing Not To Scale



M-POL™ Certified is MP Antenna's exclusive assurance that MultiPolarized antenna technology is incorporated into a world class product to provide superior connectivity in real world obstructed environments.

MP Antenna reserves the right to change product information and specifications without notice. Responsibility for the use and application of MP Antenna products rests with the end user since MP Antenna cannot be aware of all potential uses. MP Antenna makes no warranties as to the fitness, merchantability, or suitability of any MP Antenna products for any specific or general uses. MP Antenna shall not be liable for incidental or consequential damages of any kind. * **MP Antenna** products and technology are protected under United States Patent No. 6,496,152 and other patents applied for. Please contact MP Antenna for information about using or licensing **MP Antenna** products or technology.

copyright © 2009 MP Antenna Ltd. All rights reserved. MP Antenna logo and M-POL™ are registered trademarks of MP Antenna Ltd

REV: 012510

MP Antenna, LTD - 7887 Bliss Parkway - North Ridgeville, OH 44039 - 877.678.3243 - fax 877.678.3245 - www.mpantenna.com